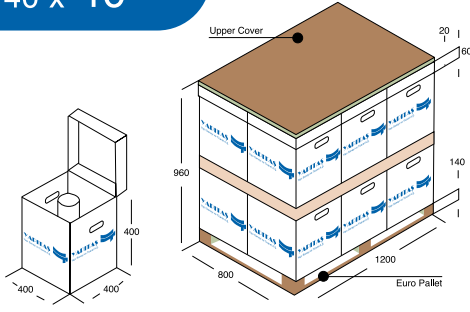
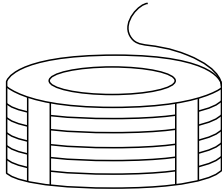


## 40 x 40 x 40

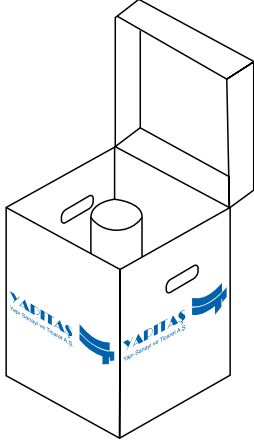


Kesiti Cross Section (mm <sup>2</sup> )	Miktar In Box QTY (mt)	Fıçı Ağırlığı In Box (kg)	Toplam Ağırlığı Palet (Approx) (kg)
0.50	3.250	28 kg	350 kg
0.75	3.000	33 kg	410 kg
1.00	2.750	37 kg	458 kg
1.50	2.250	42 kg	518 kg
2.50	1.500	42 kg	518 kg

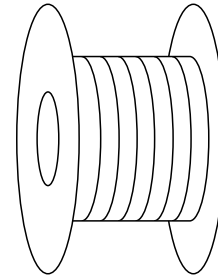
## Kangal / Coil



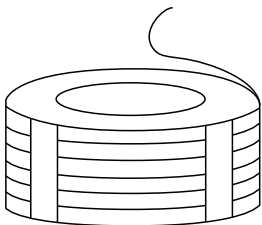
Kesiti Cross Section (mm <sup>2</sup> )	Kablo Uzunluğu Length Of Cable (mt)				
0.50	100	200	300	400	500
0.75	100	200	300	400	500
1.00	100	200	300	-	-
1.50	100	200	-	-	-
2.50	100	200	-	-	-



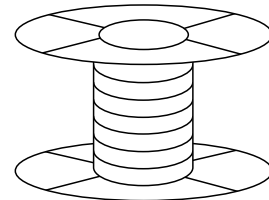
Fıçı / **YAPIBOX**



Tahta Makara  
**Drum**



Kangal / **Coil**

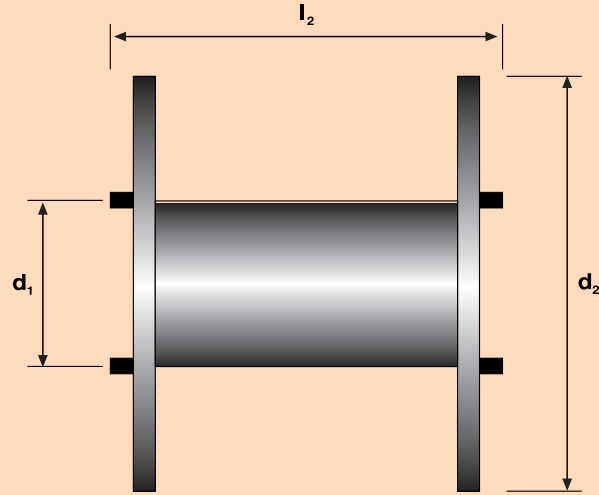


Mukavva Makara  
**Cardboard Spool**

## SEVK MAKARALARI / CABLE DRUMS

TAŞIMA KAPASİTELERİ, ÖLÇÜLERİ, HACİMLERİ

CARRYING CAPACITY, SIZE, WEIGHT, VOLUME



TİP A	TAŞ.KAP. CARRY CAP kg	ÖLÇÜLERİ DIMENSIONS			AĞIRLIK (kg) / WEIGHTS (kg)					HACİM VOLUME m <sup>3</sup>
		d <sub>2</sub> mm	d <sub>1</sub> mm	l <sub>2</sub> mm	Boş Empty (b)	%50 Kapalı %50 Closed (b)	Toplam Total (a+b)	%100 Kapalı Closed (c)	Toplam Total (a+c)	
4	150	450	200	310	9	3	12	6	15	0.043
5	200	520	260	400	12	4	16	8	20	0.093
6	250	600	300	400	15	5	20	10	25	0.133
7	400	700	350	490	25	6	31	12	37	0.230
8	600	800	400	510	36	7	43	14	50	0.301
9	700	900	450	665	43	9	52	20	63	0.527
10	850	1000	500	685	50	10	60	24	74	0.650
12	1250	1200	600	860	90	19	109	38	128	1.190
14	1600	1400	700	860	145	22	167	44	189	1.607
16	2600	1600	800	1120	255	25	280	50	305	2.770
18	3400	1800	1000	1130	330	46	376	80	410	3.500
20	3800	2000	1200	1130	445	51	496	88	533	4.320